

# pendulum



Less is definitely more with our “minimalistic” PENDULUM power module. Designed to provide the user with a conveniently locatable power or USB charging socket, PENDULUM not only adds style but also a splash of colour to the workplace with its exciting socket and bezel colour options.

An individual PENDULUM module can be securely fixed under a table edge using our special chrome mounting cage with optional cable tidy. Alternatively up to three PENDULUM modules can be conveniently located in the centre of a meeting table with our 80mm grommet fit PENDULUM Cradle (coming soon).

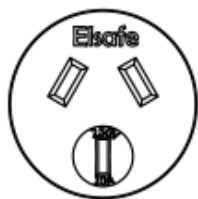
PENDULUM can also be fitted into a flexible chrome gooseneck to provide an innovative solution for providing power to casual seating areas and other special applications - see POSE for more details.

**TUF<sup>5A</sup>  
Charger**



**Convenient Power  
8 Bright & Funky Colours!  
Different Mounting Options**

## Common Modular Components:



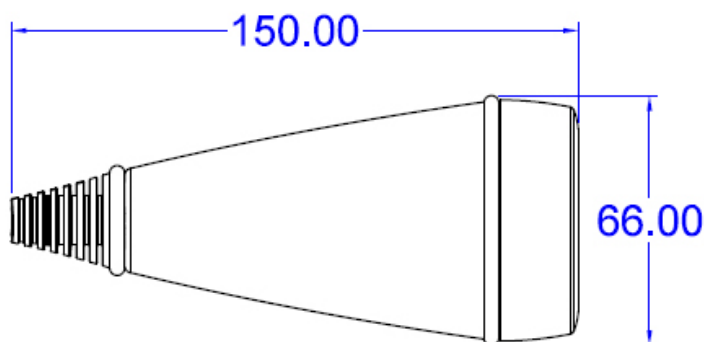
Australia/New Zealand



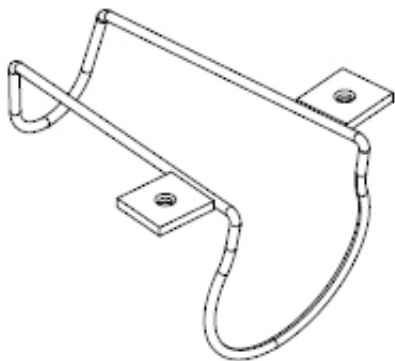
TUF 5A USB Charger  
(Power Only)

\*see website for more

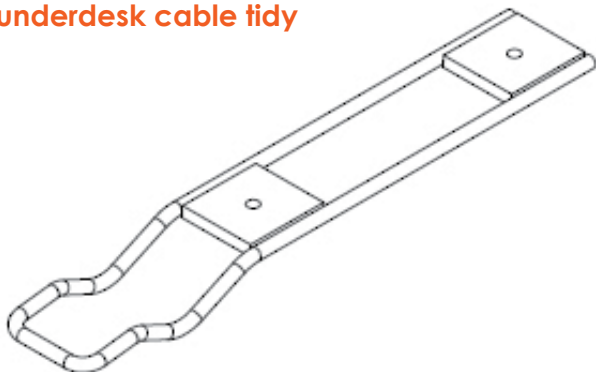
## Unit Dimensions



## Wire underdesk holder



## Wire underdesk cable tidy



## Features

### Configuration:

The PENDULUM single socket apertures may be configured with our class leading 5 Amp Twin USB Fast Charger (TUF) or an AC power socket from the Elsafe 42mm modular range.

### Construction:

High strength fire retardant polycarbonate mouldings and flexible cable gland.

### Colours:

Main body - white or black

Power socket fascia - grey or black

Socket bezel - white or painted in one of the 9 colours shown below

Cable gland - black

Power cable - white

### Soft Wiring (power):

Power cord hardwired direct to a mains AC plug, or hardwired to a male Wieland GST connector for "soft wiring" e.g. connection to an under desk module or to a mains supply socket via a starter cable.

### Installation:

Standard fixing options are the two part under desk wire cage for single unit or the 80mm grommet cradle for up to 3 units.

Alternatively PENDULUM can be fitted to a flexible steel "gooseneck" - See POSE

### Quality and Testing:

All PENDULUM units are manufactured using ISO9001 quality controlled components and practices and are 100% electronically tested before dispatch

- Visual: Configuration and appearance
- Power Sockets: Continuity, polarity, insulation & earth
- USB Charger: Output voltage and resistance

## Pendulum colours

