



The PixelTUF from Elsafe uniquely combines an AC power socket and fully integrated 5A Twin USB Fast Charger (TUF) in a compact 80mm grommet unit.

PixelTUF enables the time-short mobile worker to charge a laptop at the same time as charging their mobile phone and tablet! Perfect for hot desks, drop in areas, schools, airports & hotels.

PixelTUF fits almost flush at any angle into a standard 80mm grommet cut out without the need for tools. You may even forget it's there until you need it.

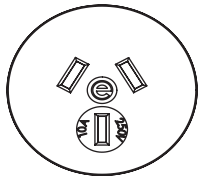
PixelTUF's unique sweeping organic curves ensure protection against liquid ingress as required by AS/NSZ3000.



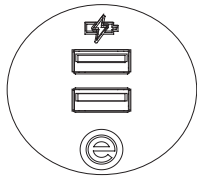
- AC socket with fully integrated 5A Twin USB fast charger (patent pending).
- Available in double TUF design with 4 USB outlets, delivering a total of 10A charging capacity.
- Stylish organic design ensures protection against liquid ingress.
- High strength polycarbonate enclosure - only 50mm deep from desk surface.
- Available in black or white with silver grommet ring.
- Accepts a range of different nationality AC power sockets .
- Data or A/V cable pull through feature.
- Fits into a standard 80mm grommet hole in desktops or panels 1mm to 40mm thick, without the need for tools.



AC Modular sockets for Pixel TUF

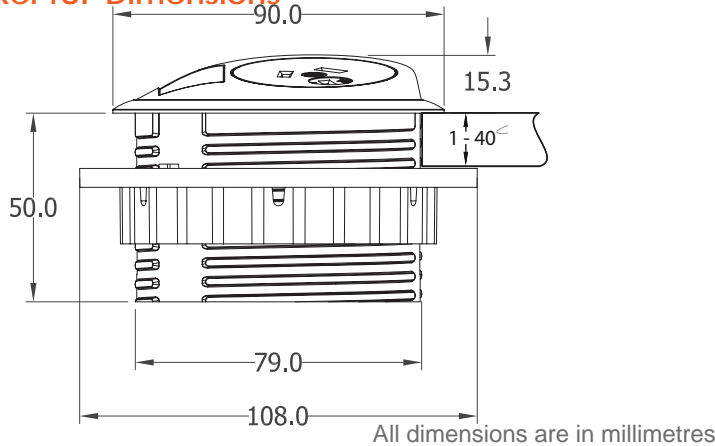


Australia



5A TUF Charger

Pixel TUF Dimensions



pixel-8 colours now available!



Technical data

USB Charging Outlets	2 x Type A Females
Charging Current	Maximum 5A in total
AC Voltage Range	200-240VAC at 50/60Hz
AC Input Current	Maximum 0.6A at full load Less than 0.5mA at no load
Rated Total Output	25W max
Output Voltage	5V DC +- 5%
Standby Power Use	Less than 0.05W
Life Expectancy	Min 5 years in normal use
USB Connector	Gold Plates - min 5000 insertions
Over Current Protection	Yes - self regulating
Short Circuit Protection	Yes - auto reset
Apple iPad/iPhone Compatible	Yes (including new Apple 2.4A)
Blackberry Compatible	Yes
Operating Temperature Range	0 to 35 C
Max Relative Humidity	85% RH

Features

Power:

Single AC power socket from our 42mm range

USB Charging:

Twin USB Fast Charger (TUF) maximum combined output of 5A. at 5V DC. Or 10A with Double TUF configuration.

Power input:

3 core 1.5mm² power cord to GST 18/3 Wieland or appropriate power cord to national mains plug.

Data A/V cable pull though: Single cable up to 9mm Ø via knock-out in pixel/TUF fascia

Cable management: attachment point for pathfinder umbilical.

Testing:

100% testing - continuity, polarity, insulation & earth, plus TUF charger output.

Colours:

Standard colours: black with silver grommet ring or white with silver grommet ring.

Fitting:

To fit PixelTUF into your desk couldn't be simpler. If your desk already has an industry standard 80mm hole* simply take the fixing nut off your newly purchased PixelTUF, feed the cables through the hole and gently slide your PixelTUF into place. Make sure your PixelTUF is facing the desired orientation and screw the fixing nut back on until it is firmly in place. PixelTUF will fit any surface from 1mm to 40mm. Please see website for further details and video.

Indicative Charging Times from 10% to 90%

Device	Time Hrs: Mins
iPhone 6S	1:29hrs
iPhone 5	1:26hrs
iPad 3 & 4	3:45hrs
iPad Air	3:05hrs
Sony Xperia Z1	2:23hrs
Samsung Galaxy Note 10.1"	3:36hrs

Certifications

Certified to:	EN61204-3/CISPR22 UL/IEC 60950-1
---------------	-------------------------------------

Additional Features:

- Dynamic Voltage Adjustment to compensate for Cable Voltage Loss
- Protection from external surges (3.5kA for 8/20us Pulse)
- Blue LED backlight which is visible through the USB apertures