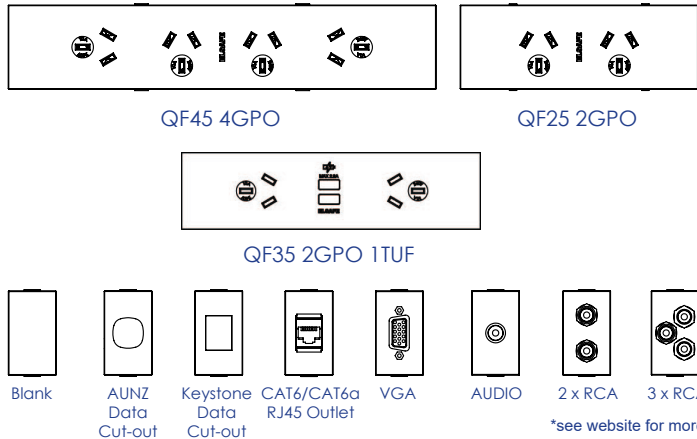
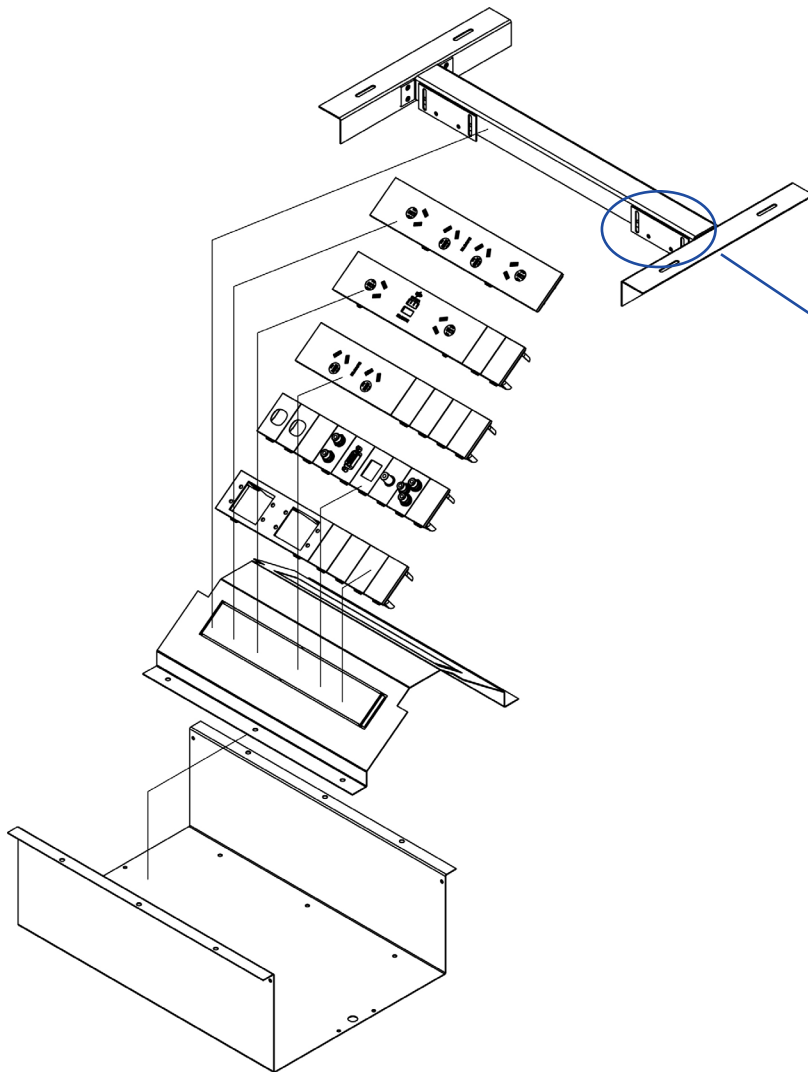


Common Components

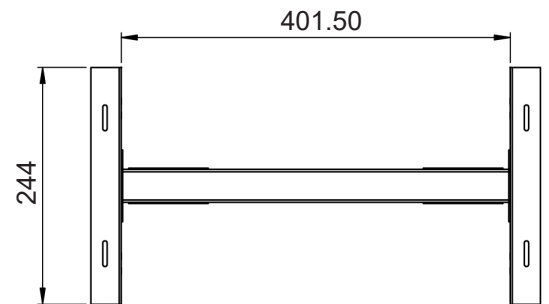


QF5 Tiles to provide Data and AV solutions

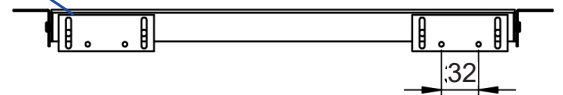
ELITE Frame and Undercarriage



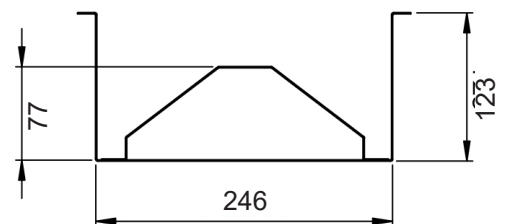
ELITE Frame Size:



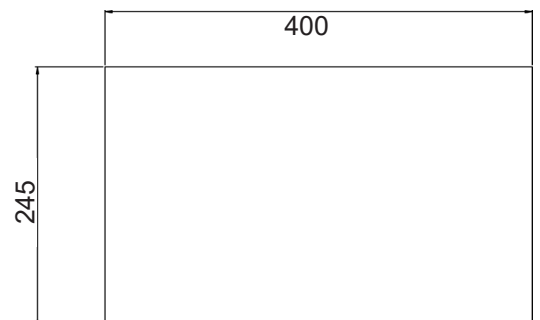
ELITE Hinge Point:



ELITE Chassis Size:



Recommended Cut-out Size:



Features:

Configuration:

Power only / Data only / Combined (Power, Data, TUF charger and/or AV)

Testing:

100% testing - continuity, polarity, insulation and earth

Insulation:

Reinforced insulation

Soft Wiring (power):

Power via Wieland GST connector allows starter cables to be changed to suit requirements, especially useful during moves and changes (CHURN)