



pixelTUF



The new PixelTUF from Elsafe uniquely combines an AC power socket and fully integrated 2.3A Twin USB Fast Charger (TUF) in a compact 80mm grommet unit.

PixelTUF enables the time-short mobile worker to charge a laptop at the same time as charging their mobile phone and tablet! Perfect for hot desks, drop in areas, airports & hotels.

PixelTUF fits almost flush at any angle into a standard 80mm grommet cut out without the need for tools. You may even forget it's there until you need it.

PixelTUF's unique sweeping organic curves ensure protection against liquid ingress as required by AS/NSZ3000.



TUF pixel

USPs

- AC socket with fully integrated 2.3A Twin USB fast charger (patent applied for).
- Stylish organic design ensures protection against liquid ingress
- High strength polycarbonate enclosure - only 50mm deep*
- Available in black or white with silver grommet ring
- Accepts a range of different nationality AC power sockets
- Data or A/V cable pull through feature
- Fits into a standard 80mm grommet hole in desktops or panels 1mm to 40mm thick, without the need for tools.



*from desk surface

Elsafe Australia Pty Ltd
Sydney Melbourne Brisbane

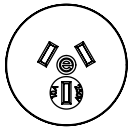
Tel: 1300 357233
Fax: +61 (2) 9454 7505
Email: sales@elsafe.com.au

service - quality - safety

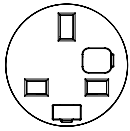
www.elsafe.com.au



AC Modular sockets for Pixel TUF⁺



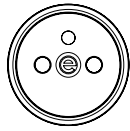
australian



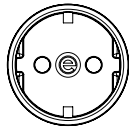
UK fused/unfused



Chinese

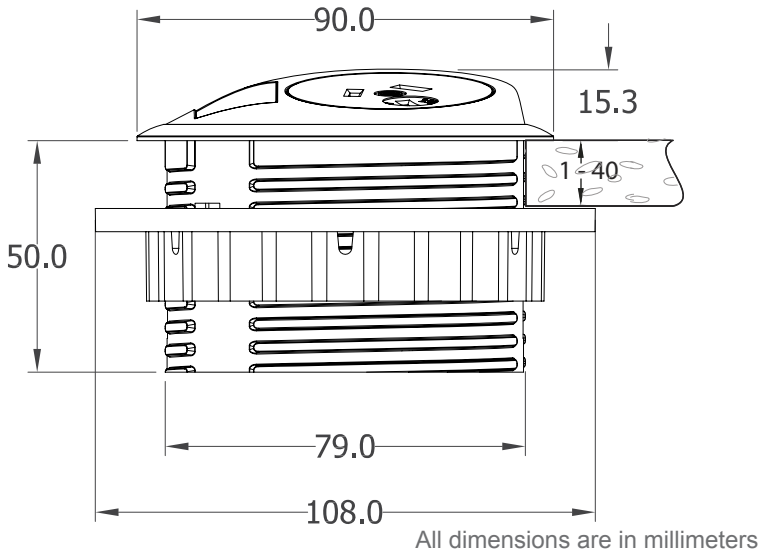


french/belgian



schuko

Pixel TUF Dimensions



All dimensions are in millimeters

* Suitable hole cutters are available from Office Electrics. Please contact sales

⁺ Currently UK, French/Belgian, Schuko, Australian. Other sockets available during 2014

Technical data

USB charging outlets	2 x type A female
Charging Current:	Max 2.3A in total
AC voltage range	100-240V AC 50/60Hz
AC input current	Max 0.2amp at full load Less than 0.5mA at no load
Rated total Output	11.5W max
Output voltage	5V DC +/- 5%
Standby Power use	Less than 0.1W
MTBF*	Min 5,000 hours at 25°C and full load
Over current protection	Yes - self regulating
Short Circuit protection	Yes - Auto reset
Apple ipad/iphone compatible	Yes
Blackberry compatible	Yes
Operating Temperature range	0° to 35°C
Max relative humidity	85% RH

*Mean time before failure

Features

Power:

Single AC power socket from our 42mm range

USB Charging:

Twin USB Fast Charger (TUF) maximum combined output of 2.3A. at 5V DC.

Power input:

3 core 1.5mm² power cord to GST 18/3 Wieland or appropriate power cord to national mains plug.

Data A/V cable pull through: Single cable up to 9mm Ø via knockout in pixel/TUF fascia

Cable management: attachment point for pathfinder umbilical.

Testing:

100% testing - continuity, polarity, insulation & earth, plus TUF charger output.

Colours:

Standard colours: black with silver grommet ring or white with silver grommet ring.

Fitting:

To fit PixelTUF into your desk couldn't be simpler. If your desk already has an industry standard 80mm hole* simply take the fixing nut off your newly purchased PixelTUF, feed the cables through the hole and gently slide your PixelTUF into place. Make sure your PixelTUF is facing the desired orientation and screw the fixing nut back on until it is firmly in place. PixelTUF will fit any surface from 1mm to 40mm. Please see website for further details and video.

Indicative Charging times from 0% to 100%

Device	Time
iphone 4S	2hrs
iphone 5	2hrs
ipad 2	3.5hrs
ipad 3	5.75hrs
Blackberry bold 9700	95mins
Google Nexus 7	3hrs

TUF Certifications

Safety Certifications	EN60950-1:2006 + A11:2009 + A12:2011
EMC Certifications	EN55022:2006 + A1:2007 EN61000-3-2:2006 +A1/A2:2009 EN61000-3-3:2006 EN55024 -2010



Elsafe Australia Pty Ltd

service - quality - safety

Sydney
Tel: +61 (2) 9454 7500
Fax: +61 (2) 9454 7505
Email: sales@elsafe.com.au

Melbourne
Tel: +61 (3) 9840 1321
Fax: +61 (3) 9840 0159
Email: vic@elsafe.com.au

Brisbane
Tel: +61 (7) 3399 7099
Fax: +61 (7) 3399 9133
Email: qld@elsafe.com.au

www.elsafe.com.au