



# polarICE



The world's first fully user-customisable personal power and data module, not only bringing power and data to the desktop in a sleek 'ice-cool' package, but also allowing the desk user to easily customise the position, colour and even the shape, to suit their individual taste.

A super cool desktop power, data and AV unit with colour coordinated 'SnapOn-Snapoff' fascias.

A virtually limitless range of fixing options is possible for PolarICE using one of the two adaptor mechanisms designed into the module. Using the Universal Adaptor option – a top-fix quick-release mechanism has been developed to allow units to be quickly fixed and subsequently moved on, or removed from, the desktop without requiring access under the desk.



'SnapOn-SnapOff' frames & endcaps, allow shape & colour customisation, either before or after the unit is installed. The changes allow PolarICE to match the overall workplace aesthetic.



Version: 17.07.2012.



## Elsafe Australia Pty Ltd

**Sydney**  
Tel: +61 (2) 9454 7500  
Fax: +61 (2) 9454 7505  
Email: sales@elsafe.com.au

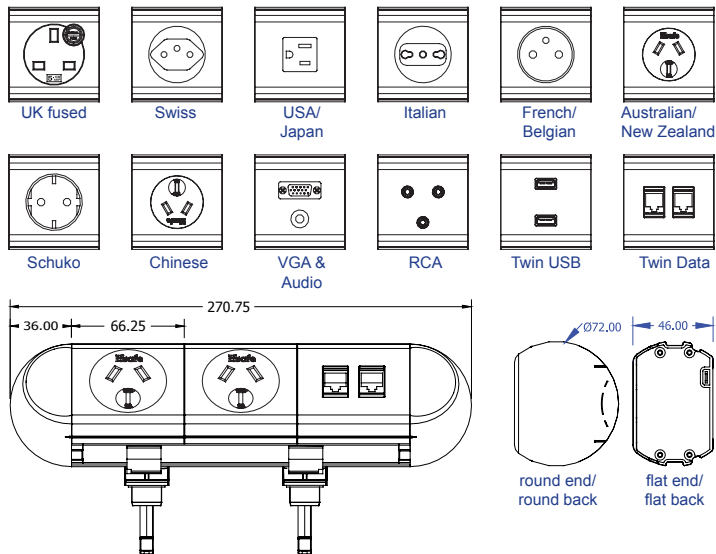
**Melbourne**  
Tel: +61 (3) 9840 1321  
Fax: +61 (3) 9840 0159  
Email: vic@elsafe.com.au

**Brisbane**  
Tel: +61 (7) 3399 7099  
Fax: +61 (7) 3399 9133  
Email: qld@elsafe.com.au

service - quality - safety

[www.elsafe.com.au](http://www.elsafe.com.au)

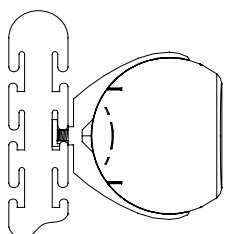
## Common Modular Components\*



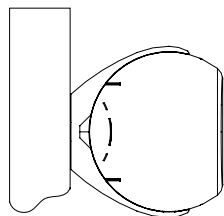
## Standard Fixings

- QRB Quick Release Bracket 13 - 45mm
- ICB Clamp Bracket 15-35mm
- EIB Extended Clamp Bracket 15 - 57mm
- TRA Toolrail Adaptor<sup>+</sup>
- PMA Panel Mount Adapter

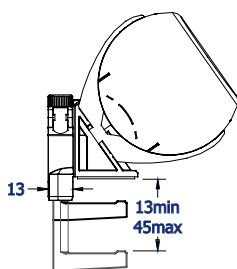
<sup>+</sup>Please call to confirm screen/toolrail compatibility



TRA - Tool rail fixing<sup>+</sup>

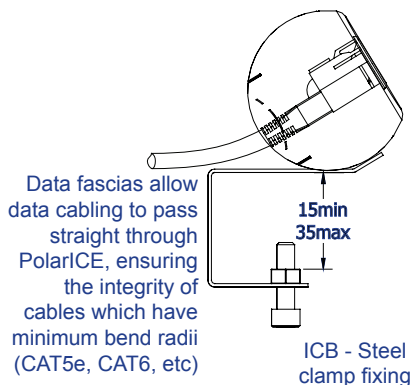


PMA - Panel mount adaptor



QRB - Quick release top-fix clamp

Version: 17.07.2012.



ICB - Steel clamp fixing

## Features

### Configuration:

Power only / Data only / Combined (Power & Data/AV)  
Internal segregation between Power and Data/AV in combined PolarICE

**Earthing:** Fully earthed aluminium body.

### Increased flexibility:

Bracket fix - unique adaptor clip allows mounting brackets to be interchanged without dismantling the PolarICE, allowing flexibility for a wide variety of PolarICE locations.

### Security:

Anti-Flex system: A unique full length locking system, which guarantees unit integrity, regardless of the length of the unit.

### Testing:

100% testing - continuity, polarity, insulation & earth

### Soft Wiring (power)

Power hardwired to Wieland GST connector allows starter cables to be changed to suit requirements, especially useful during moves and changes (CHURN)

### Soft Wired Data / AV

As well as soft-wired power, PolarICE can be supplied with pre-fabricated (100% end-of-line tested) flyleads for data (CAT5e, CAT6, CAT7) and AV connections thereby providing a complete 'plug-and-play' soft wiring solution. If necessary, branded data can be accommodated to retain full channel warranties, please call for advice (see our Soft Wiring Data Brochure)

### Soft Fixing

A virtually limitless range of fixing options is possible for ICE using one of the two adaptor mechanisms designed into the module.

Using the Universal Adaptor option – a top-fix quick-release mechanism has been developed to allow units to be quickly fixed and subsequently moved on, or removed from, the desktop without requiring access under the desk.



\*See website for more  
<sup>+</sup>Please enquire with Elsafe for further information

