



Compact and stylish desk-top unit providing flexible modular power and data distribution; ideal for office desks and screens. PULSE 'floats' above the desk releasing the desktop and takes its design influence from modern life – clean, simple lines with no-nonsense understated function and uncompromising style.

PULSE can be manufactured to meet specific requirements with mains power socket formats for most countries together with a wide range of data outlets.

PULSE continues the Elsafe 'soft' theme with interchangeable fixings to suit any desk location, including screens. Please specify when requesting a quote

Standard colours are grey and white (except certain countries which will be black and white)



Please contact Elsafe to discuss your precise requirements.

Version: 17.07.2012.



## Elsafe Australia Pty Ltd

service - quality - safety

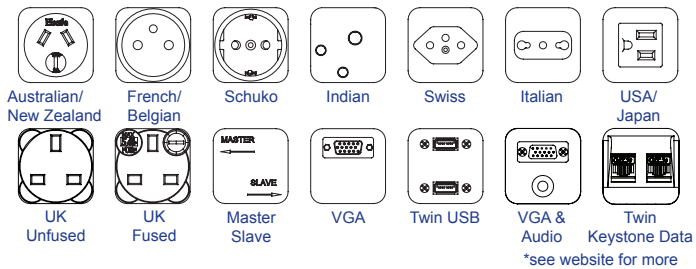
**Sydney**  
Tel: +61 (2) 9454 7500  
Fax: +61 (2) 9454 7505  
Email: sales@elsafe.com.au

**Melbourne**  
Tel: +61 (3) 9840 1321  
Fax: +61 (3) 9840 0159  
Email: vic@elsafe.com.au

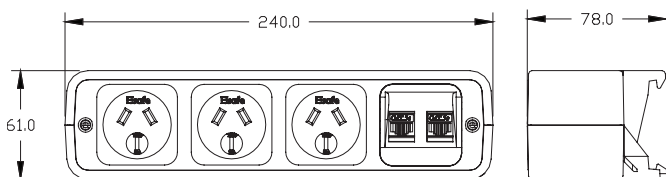
**Brisbane**  
Tel: +61 (7) 3399 7099  
Fax: +61 (7) 3399 9133  
Email: qld@elsafe.com.au

[www.elsafe.com.au](http://www.elsafe.com.au)

## Common Modular Components\*

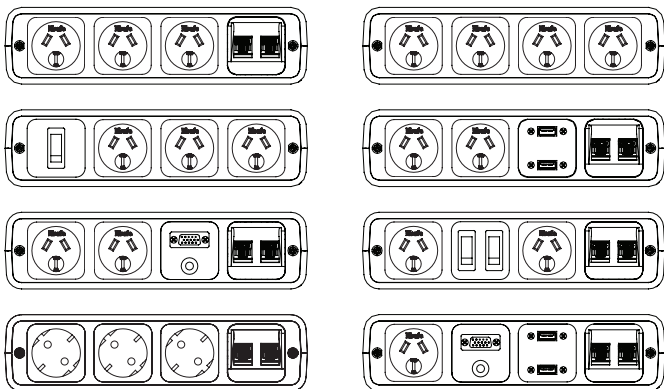


## Unit dimensions



## Common Units

Other configurations are available on request



## Standard Fixings

- PCB    Clamp Bracket 18 - 35mm
  - PEC    Clamp Bracket (Extended) 38-55mm<sup>+</sup>
  - PLC    Clamp Bracket (Long-Reach) 18-35mm<sup>+</sup>
  - PTR    Tool rail fixing\*
  - HTC    HT Beam fixing
- \*Please call to confirm screen/toolrail compatibility  
<sup>+</sup>Available on application

## Features

### Configuration:

Power only / Data only / Combined (Power & Data/AV)  
 Internal segregation between Power and Data/AV in combined PULSE

### Insulation:

Re-inforced insulation

### Earth Bonding:

A 250mm earth lead can be included to allow earth bonding to furniture. (country specific requirements)

### Testing:

100% testing - continuity, polarity, insulation & earth

### Soft Wiring (power)

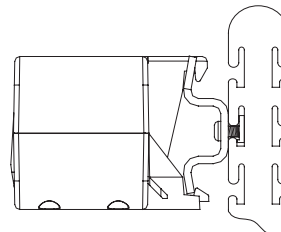
Power wired to Wieland GST connector allows starter cables to be changed to suit requirements, especially useful during moves and changes (CHURN)  
 Angled cable grip means the cable can exit via the rear or the bottom without the need for tools, allowing flexibility for mounting PULSE

### Soft Wired Data / AV

As well as soft-wired power, PULSE can be supplied with pre-fabricated (100% end-of-line tested) flyleads for data (CAT5e, CAT6, CAT7) and AV connections thereby providing a complete 'plug-and-play' soft wiring solution.  
 If necessary, branded data can be accommodated to retain full channel warranties, please call for advice (see our Soft Wiring Data Brochure)

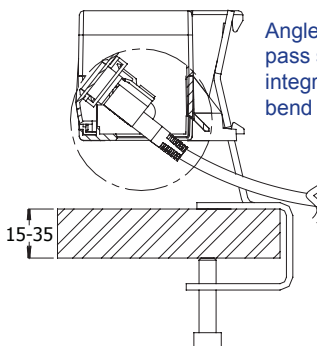
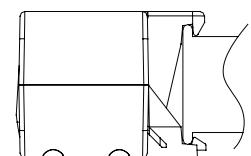
### PTR - Screen Fixing

Standard tool-rail bracket  
 Please call for confirmation



### HTC - HT Beam

fixing - suitable for fixing to HT Beam



Angled data fascias allow data cabling to pass straight through PULSE, ensuring the integrity of cables which have a minimum bend radii (CAT5e, CAT6, etc)

### CB - Clamp Bracket

Clamps are available for desk thicknesses between 18mm and 35mm  
 (Call for other desk thicknesses)

Version: 17.07.2012.