



Fast & Easy Installation

The Elsafe HAWK floor box is one of the smallest and shallowest stainless steel floor boxes on the market yet it still provides an excellent solution for power, data and AV requirements. The HAWK is ideal for use in open spaces providing a sleek and stylish stainless steel finish allowing services directly to workstations, conference and training rooms where other access is not practical. The HAWK has been designed to fit securely into the 90mm trench of raised access floors such as the Netfloor system and with a height of only 55mm the HAWK can easily be used in areas where height restriction is an issue. In addition to this the HAWK can also easily be used in concrete floors with the aid of the HAWK screed box. The HAWK design allows room for cables to be stored within the box when not in use.



Version: 2012.06.19.



Elsafe Australia Pty Ltd

service - quality - safety

Sydney
 Tel: +61 (2) 9454 7500
 Fax: +61 (2) 9454 7505
 Email: sales@elsafe.com.au

Melbourne
 Tel: +61 (3) 9840 1321
 Fax: +61 (3) 9840 0159
 Email: vic@elsafe.com.au

Brisbane
 Tel: +61 (7) 3399 7099
 Fax: +61 (7) 3399 9133
 Email: qld@elsafe.com.au

www.elsafe.com.au

Common Modular Components



*Starter



*Australian / New Zealand

Common Qikfit Components



Blank



AUNZ Data Cutout



Keystone Data Cutout



CAT6/CAT6a RJ45 Outlet



*VGA



AUDIO



2 x RCA



3 x RCA

QF5 Tiles to provide Data and AV solutions

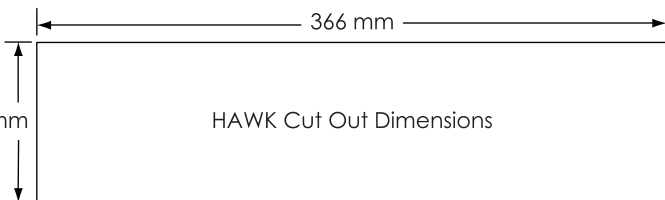
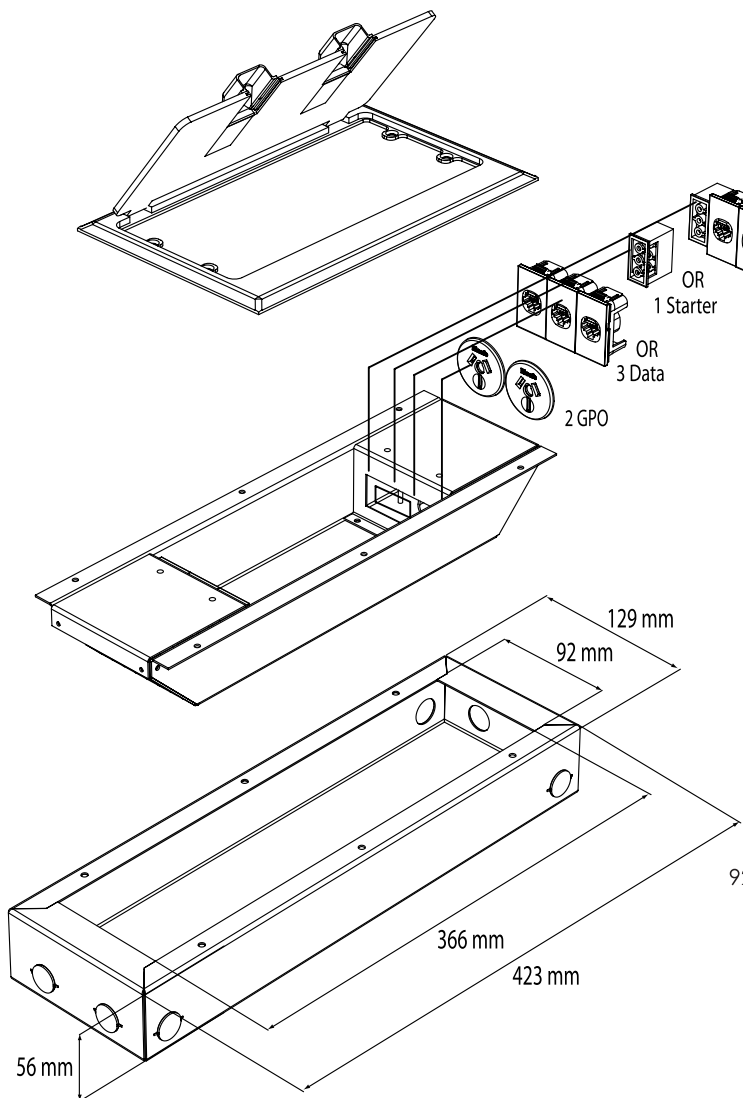
*hardwired only

Features

- The smaller size of the HAWK is ideal for situations where depth and size restrictions prohibit a larger Floor Box.
- The 2 inside walls of the HAWK are designed to accept many options including Starter, 2 GPO's and a range of Data and AV fittings in QF5 Tiles.
- The Starter, GPO, and VGA are hardwired.
- The HAWK floorbox has been designed to be reusable, relocatable and can be easily retrofitted with Elsafe's many options.

HAWK Screedbox

The HAWK Screed Box provides a method to prepare for floorbox installation at the time of construction. This eliminates the inaccuracies associated with boxing in timber or blocking with foam, the screed box can be installed with the conduits and wiring in place before the pouring of the concrete slab. The screed box is supplied with a protective lid to stop concrete ingress which is removed to install the HAWK floorbox at a later stage. Alternatively the HAWK Screed Box can be cut into the existing concrete floor slab.



Version: 2012.06.19.

