



pivot



An ultra-compact in-surface power and data unit with press and full soft-eject mechanism.

Elsafe's design brief for their new longitudinal in-surface module was for: the most compact; simplest to install; internationally compatible and technically capable; auto-opening power and data module on the market, whilst maintaining a sleek design aesthetic and robust high quality feel.

An uncompromising desire to hold to these requirements has led to PIVOT, a unit that not only satisfies the office furniture market's desire for an ultra-compact personal power and data module, but is equally suited to the kitchen, home or hotel environment and can even be installed in soft furnishings (eg: chairs, sofas or benches). Furthermore, with a minimum depth requirement of only 64mm, the PIVOT is the first in-surface module to offer the real prospect of vertical surface (screens, walls or panel systems) installation – allowing power and data outlets to be 'hidden' yet easily accessible.



Version: 17.07.2012.



**Elsafe Australia Pty Ltd**

*service - quality - safety*

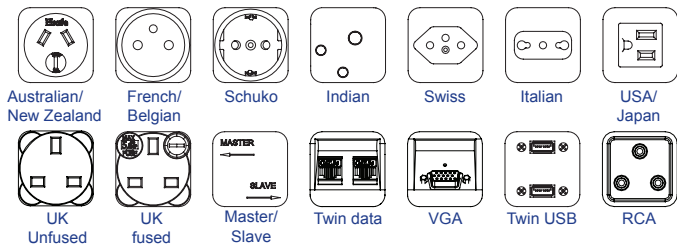
**Sydney**  
Tel: +61 (2) 9454 7500  
Fax: +61 (2) 9454 7505  
Email: sales@elsafe.com.au

**Melbourne**  
Tel: +61 (3) 9840 1321  
Fax: +61 (3) 9840 0159  
Email: vic@elsafe.com.au

**Brisbane**  
Tel: +61 (7) 3399 7099  
Fax: +61 (7) 3399 9133  
Email: qld@elsafe.com.au

[www.elsafe.com.au](http://www.elsafe.com.au)

## Common Modular Components\*

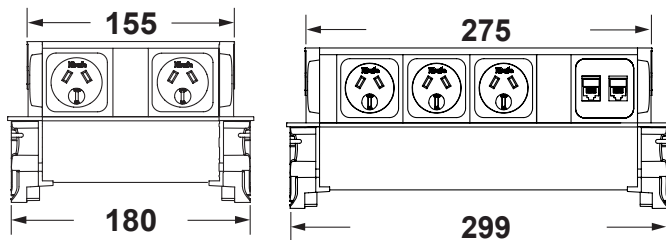


\*see website for more

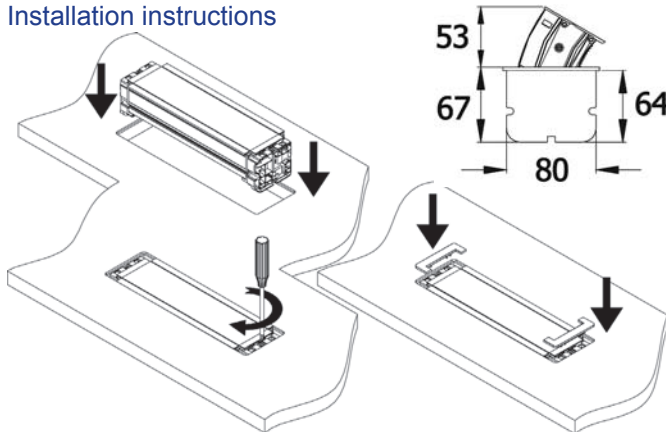
## Standard Unit Lengths

pivot 25/...

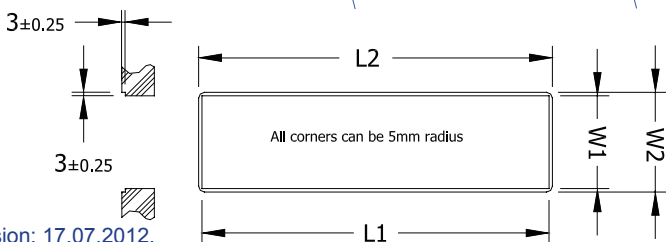
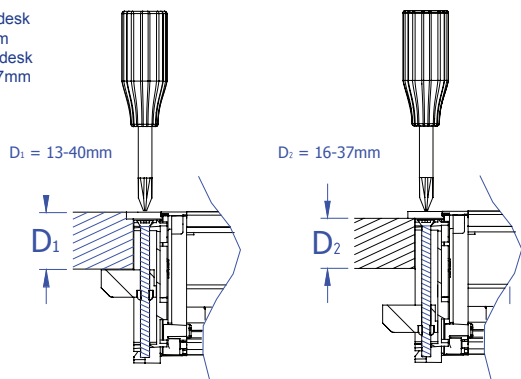
pivot 47/...



## Installation instructions



\* Max thickness of desk with recess :40mm  
Max thickness of desk without recess: 37mm



Version: 17.07.2012.

## Features

### Configuration:

Power only / Data only / Combined (Power & Data)  
Internal segregation between Power and Data in combined PIVOT units

**Earthing:** Fully earthed aluminium body.

### Security:

ANTI-FLEX system: Unique full length locking system guarantees unit integrity regardless of length

### Testing:

100% testing - continuity, polarity, insulation & earth

### Soft Wiring (power)

Power hardwired to Wieland GST connector allows starter cables to be changed to suit requirements, especially useful during moves and changes (CHURN)

### Soft Wired Data / AV

As well as soft-wired power, PIVOT can be supplied with pre-fabricated (100% end-of-line tested) flyleads for data (CAT5e, CAT6, CAT7) and AV connections thereby providing a complete 'plug-and-play' soft wiring solution. If necessary, branded data can be accommodated to retain full channel warranties, please call for advice (see our Soft Wiring Data Brochure)

### Added installation features

Full face side installation – the clamping system operating from the front face, for surface thicknesses of 13 – 45mm (for less than 13mm surface thickness - rear access would be required)

Ultra slim 80mm cutout - with full flange to mask cutting inaccuracy, but also allows PIVOT to be considered for installation in soft furnishings.

Minimal 64mm depth requirement – poses minimal intrusion into rear compartment and allows vertical surface installation (eg: kitchen wall)

### Cutout dimensions

Size	pivot 25	pivot 47
L1	180.0(+2/-0)	299.0(+2/-0)
W1	80.0(+2/-0)	80.0(+2/-0)
L2	185.7(±0.25)	305.0(±0.25)
W2	86.0(±0.25)	86.0(±0.25)

L1 - Cutout dimension L2 - Recess dimensions  
W1 - Cutout dimension W2 - Recess dimensions

