



# platinum



The ultimate solution for power and data distribution to touch-down desking and conference tables, where ease of access to utilities is paramount.

PLATINUM is easily installed into new furniture or retro fitted and may be specified with the full range of data, telecommunication, audio/visual and power sockets.

PLATINUM allows total flexibility to meet the demands of any power and data requirement. Easy to use, PLATINUM allows essential utility connections to be accessed from both sides of the unit without encroaching on the workspace.

The unit can be closed when most connections (including transformer plugs) have been made, to retain a flat work surface.

Finished in silver and grey as standard. Other finishes available subject to order quantity.



Version: 17.07.2012.



## Elsafe Australia Pty Ltd

*service - quality - safety*

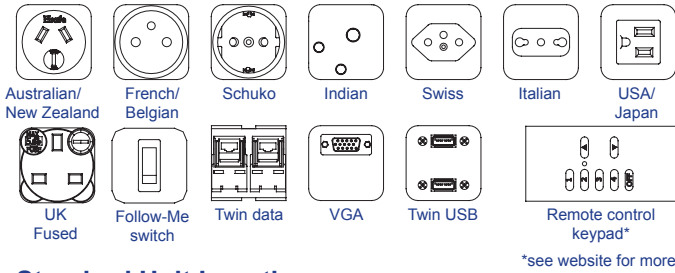
**Sydney**  
Tel: +61 (2) 9454 7500  
Fax: +61 (2) 9454 7505  
Email: sales@elsafe.com.au

**Melbourne**  
Tel: +61 (3) 9840 1321  
Fax: +61 (3) 9840 0159  
Email: vic@elsafe.com.au

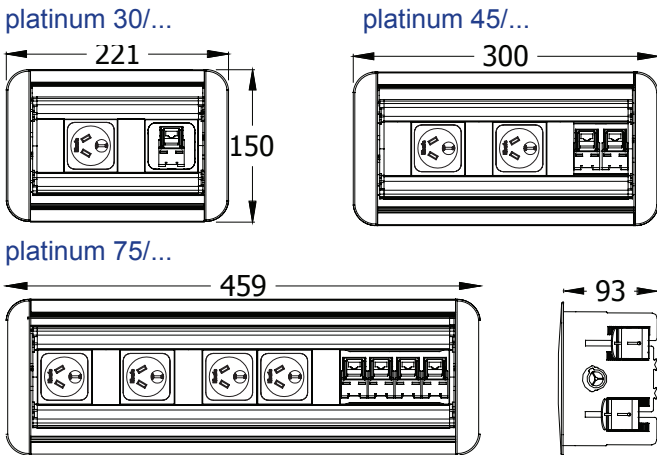
**Brisbane**  
Tel: +61 (7) 3399 7099  
Fax: +61 (7) 3399 9133  
Email: qld@elsafe.com.au

[www.elsafe.com.au](http://www.elsafe.com.au)

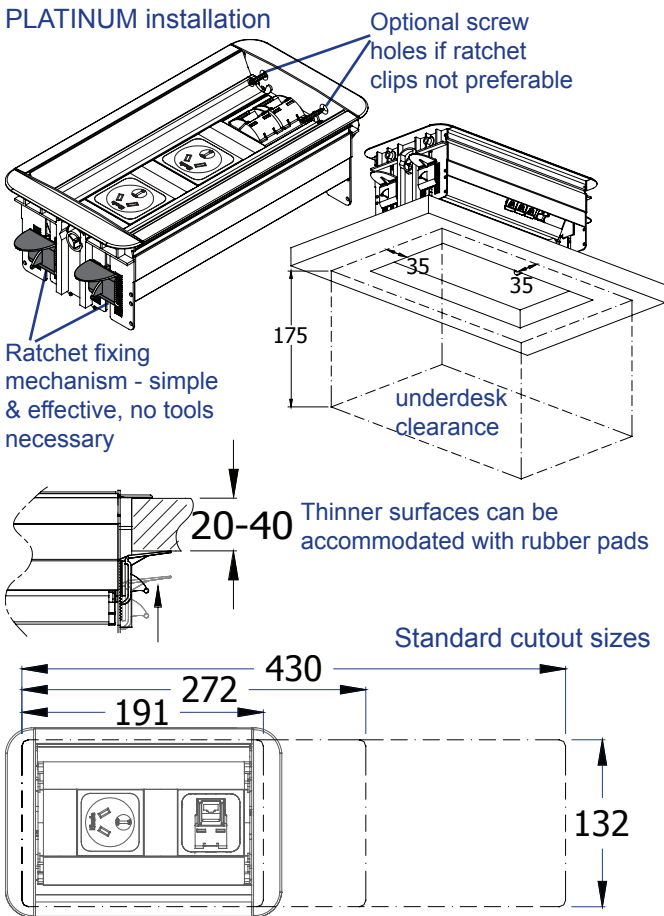
## Common Modular Components\*



## Standard Unit Lengths



## PLATINUM installation



## Features

### Configuration:

Power only / Data only / Combined (Power & Data/AV)  
Internal segregation between Power and Data/AV in combined PLATINUM units

**Earthing:** Fully earthed aluminium construction

### Security:

ANTI-FLEX system: Unique full length locking system guarantees unit integrity regardless of length

### Testing:

100% testing - continuity, polarity, insulation & earth

### Soft Wiring (power)

Power hardwired to Wieland GST connector allows starter cables to be changed to suit requirements, especially during moves and changes (CHURN)

### Soft Wired Data

As well as soft-wired power, PLATINUM can be supplied with pre-fabricated (100% end-of-line tested) flyleads for data (CAT5e, CAT6, CAT7) and AV connections thereby providing a complete 'plug-and-play' soft wiring solution. If necessary, branded data can be accommodated to retain full channel warranties, please call for advice (see our Soft Wiring Data Brochure)

### Protection:

Power cleaner, surge protector, MCB, RCD, RCBO, etc.

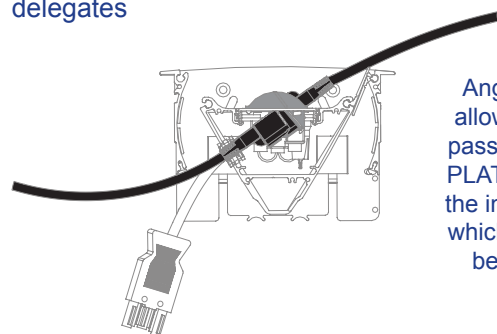
### Conferencing features:

#### Active Room Control

PLATINUM can also be fitted with room control keypads which, when used in conjunction with our in-line room controllers, allowing the user to control various functions around the room (eg: blinds, shutters, projection screen and lighting) directly from the PLATINUM

#### Follow-me switch

Integration with industry standard VGA switchers to allow intelligent control of AV facilities by multiple delegates



Version: 17.07.2012.