

Elsafe



**POWER  
TOWER**



# POWER TOWERS & GROMMETS

The Elsafe Power Tower is an innovative product providing worktop access to power and data in a clever stowaway unit.

Simply pulling up the Power Tower presents power/data outlets in an easy to reach position. All plugs and excess cables are stored below the worktop reducing desk clutter and freeing work space.

The Elsafe Power Tower can have outlets on one or two circuits. It can be supplied with leads terminating in Elsafe softwiring connectors or with Australian standard plugs. The Elsafe Power Tower is available in universal configurations including UK, USA, Chinese and Schuko and French Belgium versions. Suitable for workstations, furniture systems, shop counters, reception desks, conference desks and hotels.

## POWER Data layouts

LAYOUT 1 = Blank (allow 2mm wall section internally)

LAYOUT 2 = C/O 1x15x19.5mm

Keystone Jacks (Krone, Panduit, Siemon, Modtap)

LAYOUT 3 = C/O 1x20x21mm

To suit Systemax Bezel (formerly Lucent/Avaya)

LAYOUT 4 = C/O 1x22.5x36.5mm

To suit Shuttered Systemax Fascia (formerly Lucent/Avaya)

LAYOUT 5 = C/O 1x41.5x32.5mm

To suit Siemon Dual Jacks

LAYOUT 6 = C/O 1x25.4x25.4mm

To suit Standard Bezels

LAYOUT 7 = C/O 2x15x19.5mm

To suit Keystone Jacks (Krone, Panduit, Siemon, Modtap)

LAYOUT 8 = C/O 2x20x21mm

To suit Systemax Bezel (formerly Lucent/Avaya)

LAYOUT 9 = C/O 2x22.5x36.5mm

To suit Shuttered Systemax fascia (formerly Lucent/Avaya)

LAYOUT 10 = C/O 2x41.5x32.5mm

To suit Siemon Dual Jacks

LAYOUT 11 4=C/O 2x25.4x25.4mm

To suit Standard RJ45 Bezel

LAYOUT 12 = C/O 3x15x19.5mm

To suit Keystone Jacks (Krone, Panduit, Siemon, Modtap)

LAYOUT 13 = C/O 3x20x21mm

To suit Systemax Bezel (formerly Lucent/Avaya)

LAYOUT 14 = C/O 3x22.5x36.5mm

To suit Shuttered Systemax fascia (formerly Lucent/Avaya)

LAYOUT 15 = C/O 3x25.4x25.4mm

To suit Standard RJ45 Bezel

LAYOUT 16 = C/O 4x15x19.5mm

To suit Keystone Jacks (Krone, Panduit, Siemon, Modtap)

LAYOUT 17 = C/O 4x20x21mm

To suit Systemax Bezel (formerly Lucent/Avaya)

LAYOUT 18 = C/O 4x22.5x36.5mm

To suit Shuttered Systemax fascia (formerly Lucent/Avaya)

LAYOUT 19 = C/O 4x20x20mm

To suit Systemax RJ45 jack (formerly Lucent/Avaya)

C/O = Data Cutout size



UK Version

Maximum Configurations.

3 x UK Sockets  
or

2 UK Sockets x 4 Data

Dimensions: Height 260mm

Width: 88mm

Depth: 145mm



USA Version

Maximum Configurations.

4 x USA Sockets  
or

3 USA Sockets x 4 Data

Dimensions: Height 260mm

Width: 88mm

Depth: 145mm



Chinese Version

Maximum Configurations.

4 x Chinese Sockets  
or

2 Chinese Sockets x 4 Data

Dimensions: Height 260mm

Width: 88mm

Depth: 145mm



Schuko Version

Maximum Configurations.

4 x SCHUKO Sockets  
or

2 Schuko Sockets x 4 Data

Dimensions: Height 260mm

Width: 88mm

Depth: 145mm

### FINGER PULL

The finger pull aids in easy raising and lowering of the Tower. When not in use the finger pull stows flat.

### CAP

Used in conjunction with the grommet, the cap can be installed into the worktop without the Tower. The snap fit assembly of the cap onto the Tower allows flexibility in fitout planning, timing and reconfiguration. Supplied with grommet.

### GUIDE RAILS & LOCKS

The Power Tower slides easily on its guide rails and locks in the up position for access to power and data sockets.

### GROMMET CLAMP

Two ring pull devices with ratchet mechanisms lock the grommet to the desk/table. Ring pull shear off after fitting.

## Australian Version

Maximum Configurations.

4 x Sockets

or

2 Aust Sockets x 4 Data

Dimensions: Height 260mm

Width: 88mm

Depth: 145mm

### POWER OUTLETS

A maximum of 4 socket outlets are available in either flat or round pin earth, as a single or dual circuit system. No data is available when 4 socket outlets are supplied.

### DATA OUTLETS

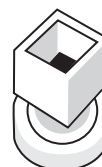
A maximum of 4 data outlets can be mounted to the removable facia with a maximum of 2 sockets. Depending on data type.

### GROMMET

The grommet is clamped into the desk/table and acts as a guide for the cables to pass through the Power Tower. To fit the grommet, two 70mm holes are drilled at 64mm centres. Supplied with cap. See back page.

### CONDUIT CLAMP

For retention of 16mm flexible conduit which can carry up to 4 data cables.





# POWER TOWERS & GROMMETS

## Available Colours

Black



White



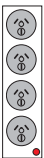
Graphite



Folkstone Grey



## POWER & DATA Configurations



**4 Socket outlets, single circuit** with cascading power for softwiring, or with 15amp flex and plug, complete with thermal overload

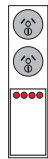


**4 Socket outlets, dual circuit** with input power feed only. Socket colours black and red with both round and flat pin earth available.



**2 Socket outlets, single circuit with Residual Current Device (RCD) safety switch.**

In the event of a power fault, the RCD provides protection for personnel.



**2 Socket outlets, single circuit with Active Power Filtration (AFP).** Providing protection from voltage peaks, and filling of voltage lags.



**2 Socket & 4 data outlets, single circuit** with cascading power for soft wiring. Can be ordered with up to 4 punch outs for data & telephone outlets. Data is fully segregated from power cables.

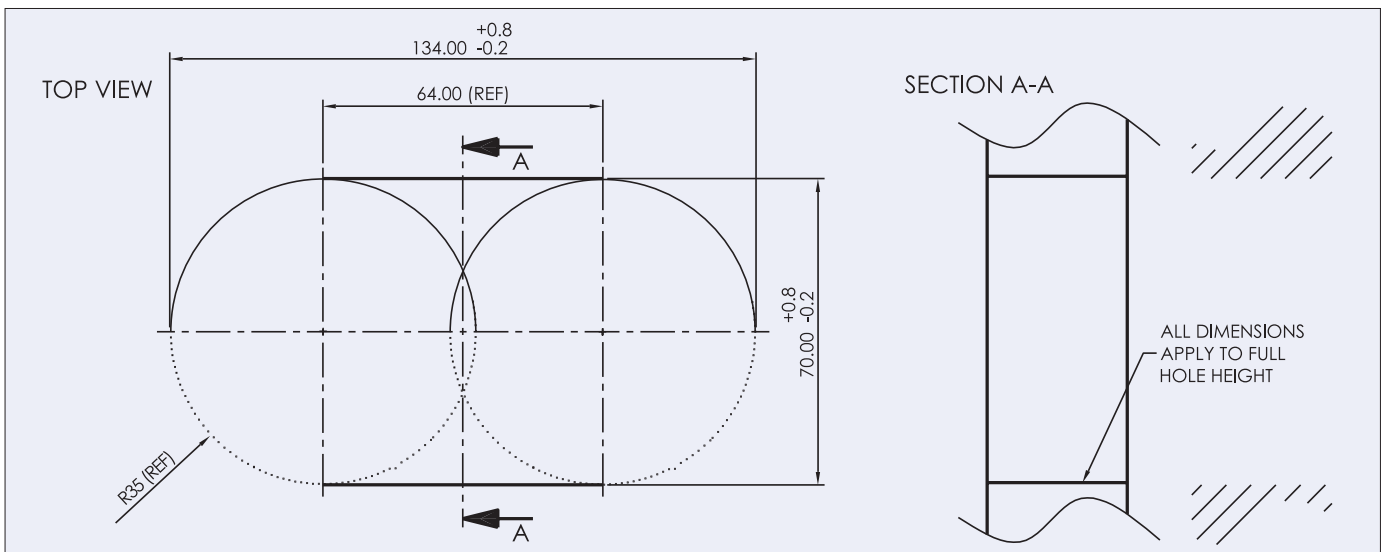


**Home Office, 2 socket outlets** complete with 15amp flex and plug, with passive filter and fax/modem filtered outlet.

## GROMMET Installation & Cut Out dimensions

NOTES: When installing Power Tower Grommet into cut out, make sure grommet fit is neat. If cut out is too large, the Grommet will flex and move.

Packing between cut out sides and Grommet may be required to provide a neat fit. A neat fit is recommended for correct operation of the Power Tower.



### SYDNEY

Unit 1, 9 Rodborough Road, Frenchs Forest NSW 2086  
Tel: 02 9454 7500 Fax: 02 9454 7505  
Email: sales@elsafe.com.au

### BRISBANE

Unit 5, 471 Lytton Road, Morningside QLD 4170  
Tel: 07 3399 7099 Fax: 07 3399 9133  
Email: qld@elsafe.com.au

### MELBOURNE

Unit 5/861 Doncaster Road, Doncaster East VIC 3109  
Tel: 03 9840 1321 Fax: 03 9840 0159  
Email: vic@elsafe.com.au