

The TARDIS series in-desk box has been designed around the customer's needs and requirements to provide a stylish, contemporary and practical Power, Data, and AV solution.

The TARDIS is manufactured using environmentally safe and recyclable components and is the ideal solution to provide Power, Data, and AV to boardroom tables, conference tables, office desks and wherever desktop cable management is required.

The TARDIS series in-desk box is flush mounted and comes in two sections (frame & undercarriage) making installation quick and easy. TARDIS comes in two standard sizes, however the undercarriage can be banked together to allow for almost any length TARDIS that is required.



The opening edge of the TARDIS series in-desk box has a soft bristle insert that fits snugly around the cables allowing the lids to sit tight and flush. A unique feature of these lids are the cable guides attached to either end that guide the cables towards the soft bristle insert when the lids are closed, thereby avoiding damage to the cables.

Version: 2011.10.07.



Elsafe Australia Pty Ltd

Sydney
Tel: +61 (2) 9454 7500
Fax: +61 (2) 9454 7505
Email: sales@elsafe.com.au

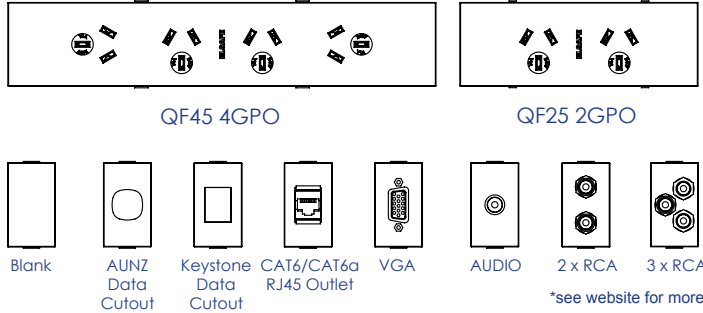
Melbourne
Tel: +61 (3) 9840 1321
Fax: +61 (3) 9840 0159
Email: vic@elsafe.com.au

Brisbane
Tel: +61 (7) 3399 7099
Fax: +61 (7) 3399 9133
Email: qld@elsafe.com.au

service - quality - safety

www.elsafe.com.au

Common Components



QF5 Tiles to provide Data and AV solutions

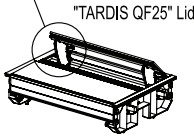
Cable Guides move the cables towards the centre, preventing cables from being damaged.

Brush Strip 10mm soft bristles to protect power and data cables, providing easy access to power and data outlets

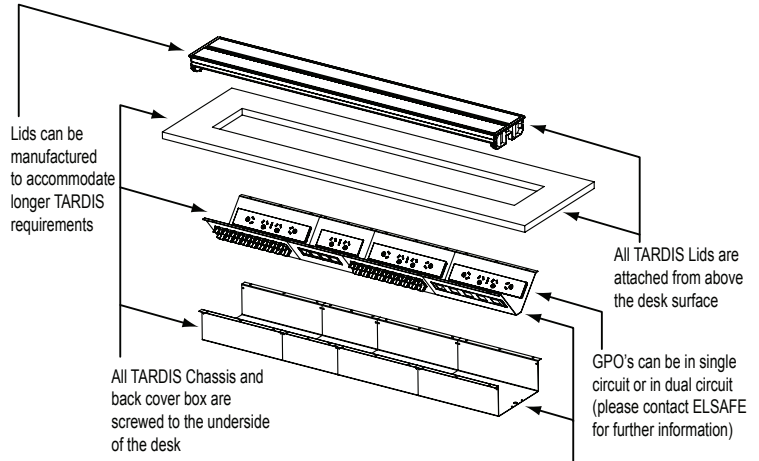
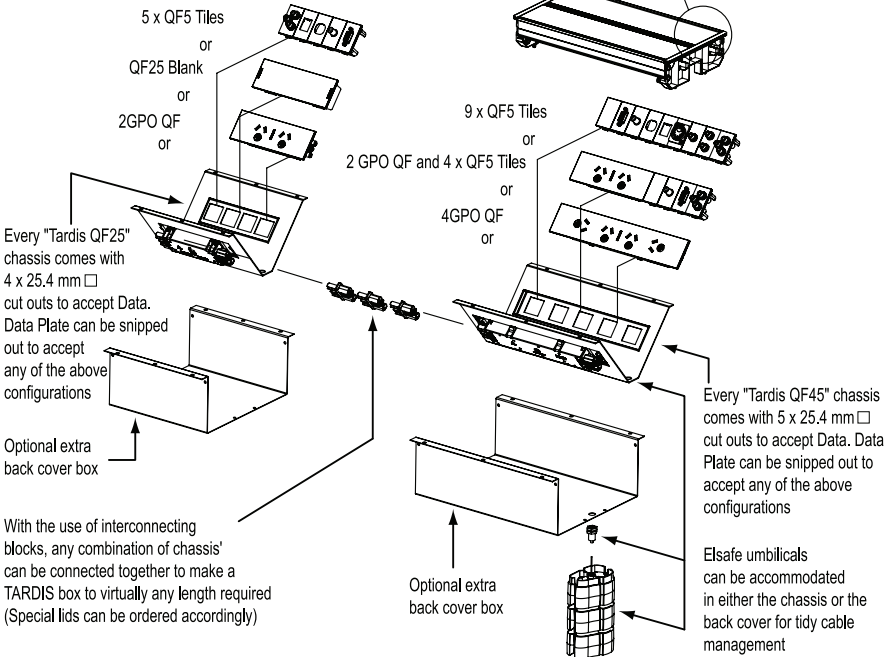
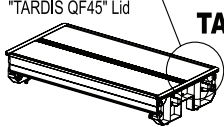
Frame finished in naturally anodised aluminium. Designed to fit flush in the desk top.

Clamping arms automatically open and tightens when screws are turned clockwise.

TARDIS QF25



TARDIS QF45



TARDIS Chassis' and optional extra back cover box can be banked together to allow for almost any length TARDIS

Features

Configuration:

Power only / Data only / Combined (Power, Data and/or AV) TARDIS Chassis units can be banked together (as per image above) allowing for almost any length and configuration.

TARDIS Lids:

TARDIS lids come in two standard lengths and are available in either square or round corner versions. Longer lids are manufactured accordingly to provide suitable access for longer TARDIS chassis that are banked together. Lids can be purchased on their own without the chassis as a through desk solution.

Testing:

100% testing-continuity, polarity, insulation & earth

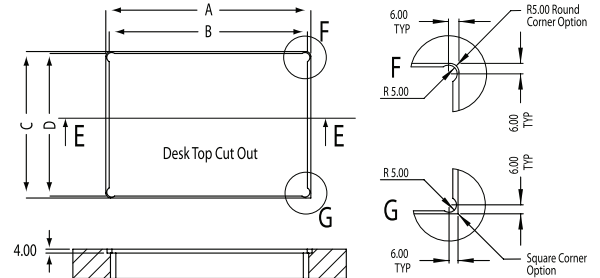
Insulation:

Reinforced insulation

Soft Wiring (power)

Power via Wieland GST connector allows starter cables to be changed to suit requirements, especially useful during moves and changes (CHURN)

Cutout dimensions



	A	B	C	D
TARDIS QF25	210.00	203.00	150.00	146.00
TARDIS QF45	293.00	286.00	150.00	146.00

Version: 2011.10.07.

