



PROTON, as the name suggests has been designed to provide AC power and USB 'fast-charging' in its simplest form.

Designed for panel mounting in furniture, PROTON presents a single or double outlet module in a stylish matt silver, matt black, gloss black or chrome decorative bezel.

PROTON is supplied as a prewired unit with power cable to national mains plug or Wieland connector, ready for installation.

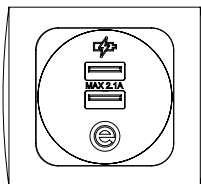


PROTON can be configured to provide combinations of AC power, USB fast charging and or data as is needed by the user.

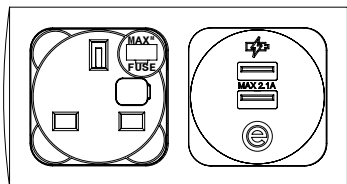
All Office Electrics products are manufactured to enable compliance with BS6396/BS7671 where relevant.



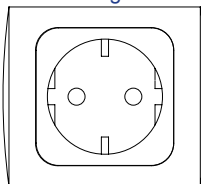
Common Units*



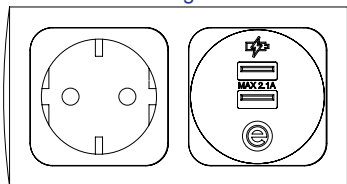
twin USB fast charger



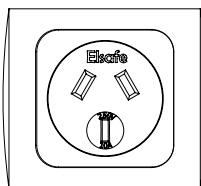
UKF + twin USB fast charger



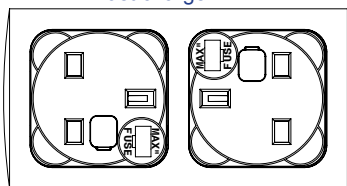
SCH



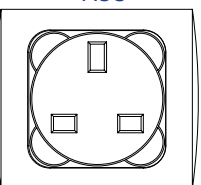
SCH + twin USB fast charger



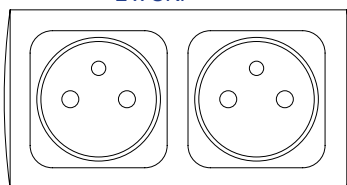
AUS



2 x UKF**



UKU

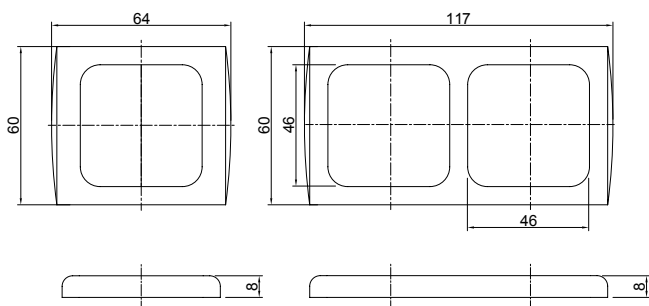


2 x FRB

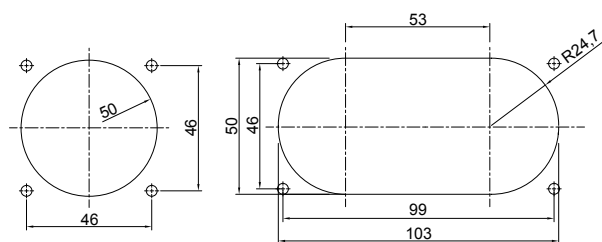
*see website for more

** UK Fused (UKF) (required for BS6396 compliance) NOT compatible with PROTON single gang

Unit dimensions



Cutout dimensions



Features

Configuration:

Single outlet units: AC power, USB charging only or data/AV only

Double outlet units: AC power only, USB charging only or data/AV only. Combined AC power, USB charging and/or data/AV

NB: UK fused sockets can only be fitted in double outlet units.

Colours:

Socket fascias: Matt black

Decorative bezels: Matt silver, matt black, gloss black or chrome

Bezel with lid: Matt black

Fusing: To enable compliance to BS6396, UK sockets in double outlet units can be ordered with 3.15 or 5A anti surge ceramic fuses

Testing:

All PROTON units are 100% tested before despatch

Safety approvals:

Sockets are approved to appropriate national and international standards e.g. BS5733 and IEC60884-1. The Twin USB fast charger has been certified to IEC60950-1 and UL60950-1.

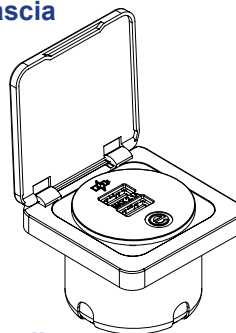
CE Marking:

All European specification units are CE marked by Office Electrics.

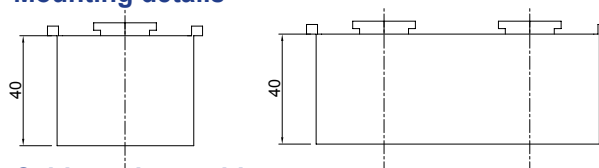
Fixings:

PROTON units can be snapped into 16mm panels or screw fixed into any suitable surface.

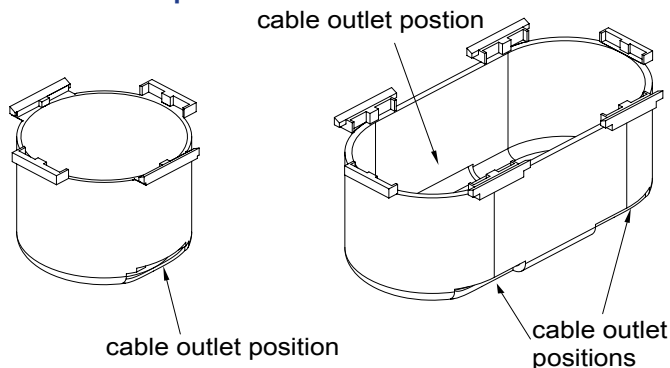
Shuttered fascia



Mounting details



Cable outlet positions



14.03.2014