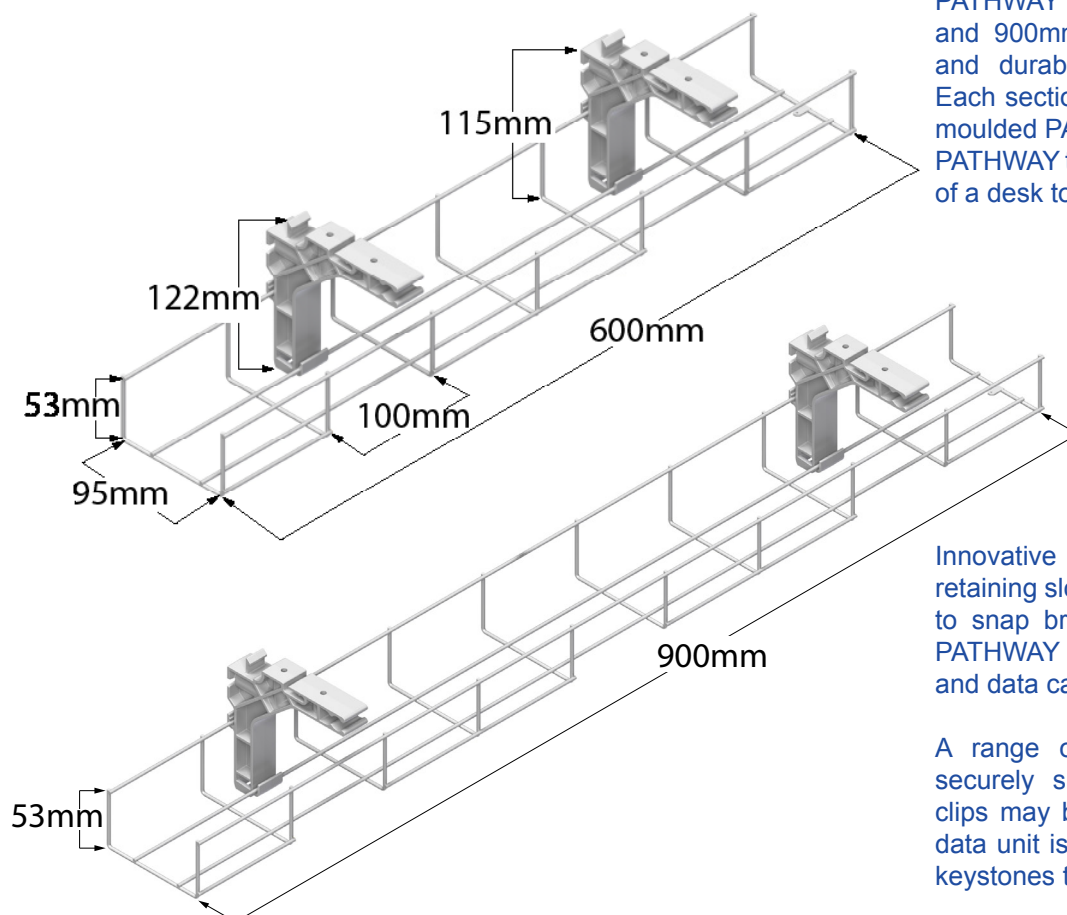




PATHWAY is a unique new modular cable management solution from Elsafe.

PATHWAY cable tray is available in 600mm and 900mm sections with a contemporary and durable white powder coated finish. Each section is supplied with a pair of white moulded PATHWAY BRACKETS which allow PATHWAY to be quickly fitted to the underside of a desk top or to a modesty panel.



Innovative features such as twin cable retaining slots in each bracket, and the ability to snap brackets together to double stack PATHWAY sections, greatly assist in power and data cable segregation.

A range of Elsafe's power modules will securely snap onto PATHWAY (additional clips may be required) and a moulded twin data unit is also available for mounting data keystones to PATHWAY.

technical

PATHWAY standard kit

PATHWAY is available from stock in 5 standard kits to fit most desks. By fixing the sections up to 100mm apart intermediate length requirements can be easily accommodated.

PATHWAY 600 KIT



PATHWAY 900 KIT



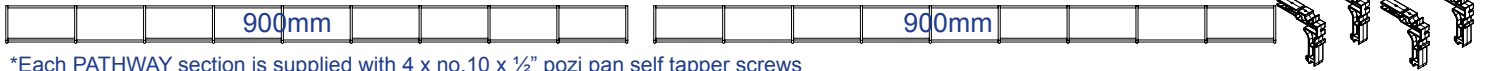
PATHWAY 1200 KIT



PATHWAY 1500 KIT



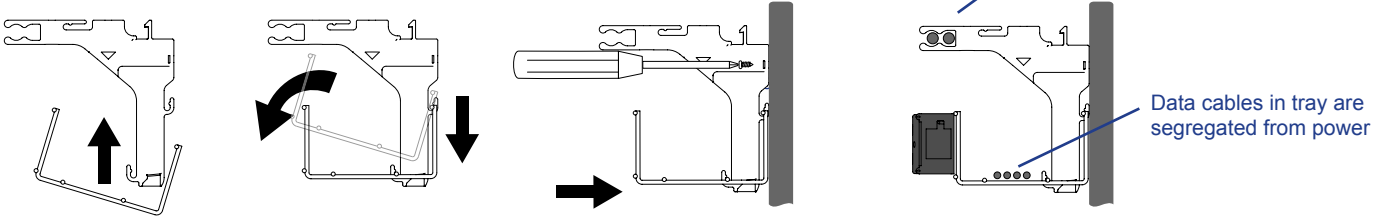
PATHWAY 1800 KIT



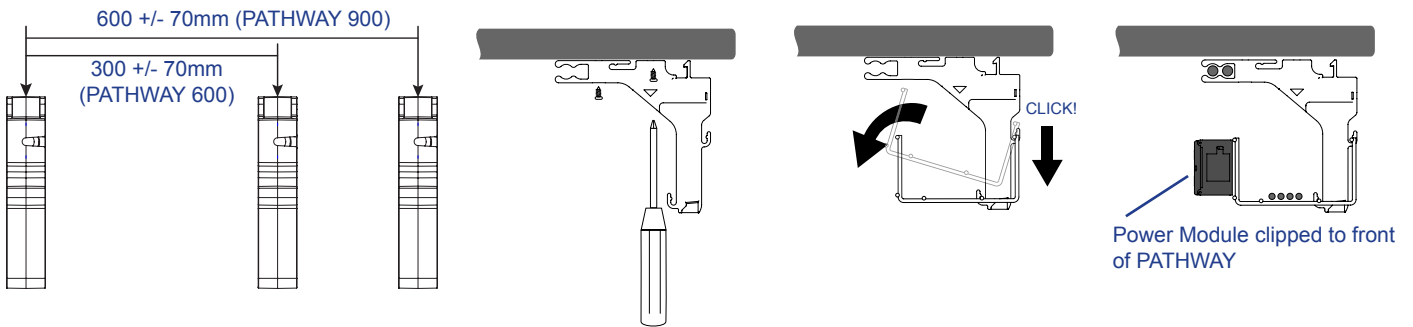
*Each PATHWAY section is supplied with 4 x no.10 x 1/2" pozi pan self taper screws

Fitting:

Modesty Panel fitting instructions



Under Desk fitting instructions



Double Stack fitting instructions

